

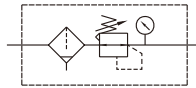
MAFR302 series

AIR UNIT (F.R.UNIT)



Option: **MP41**

Symbol



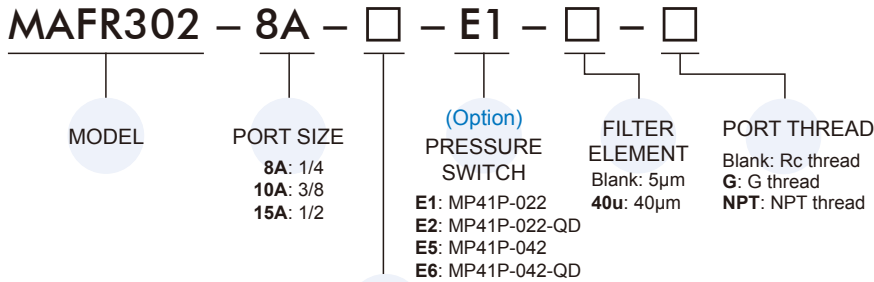
Specification

Model	MAFR302		
Bore No.	8A	10A	15A
Port size	1/4	3/8	1/2
Medium	Air		
Operating perssure range (*)	0.05~1 MPa		
Proof pressure	1.5 MPa		
Regulated pressure range	0.05~0.85 MPa		
Ambient temperature	- 5~+60°C (No freezing)		
Filter element	Standard: 5μm, Option: 40μm		
Drain capacity	35 cm ³		
Attachment	Pressure gauge (PG-20), bracket		
Weight	490 g		

* Standard unit contains semi-auto-drain function when operating pressure below 0.05 MPa.

* Choose auto-drain FMRF300, the pressure range is 0.15~1 MPa.

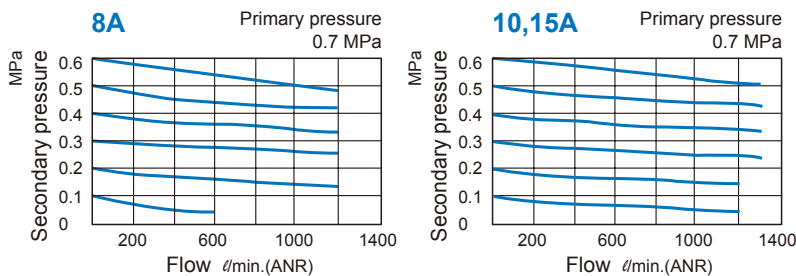
Order example



Blank: Standard type (PC bowl + Semi-auto drain)
C: External pressure gauge (PG-40)
D: Auto drain valve (FMRF300)
M: Metal bowl
N: Nylon bowl

- * Metal bowl (M) and Nylon bowl (N) can not be selected at the same time.
- * PG-40 (C) and MP41 (E*) can not be selected at the same time.
- * Be sure to use above check valves when redirecting the air flow on the inlet side of the lubricator.
- * Refer to page 5-11 for the option of digital pressure switch MP41 (E*).

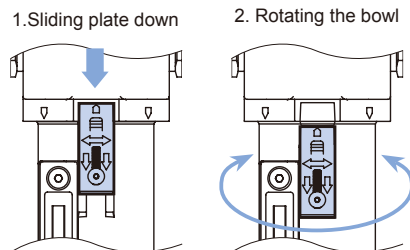
Flow feature



Caution

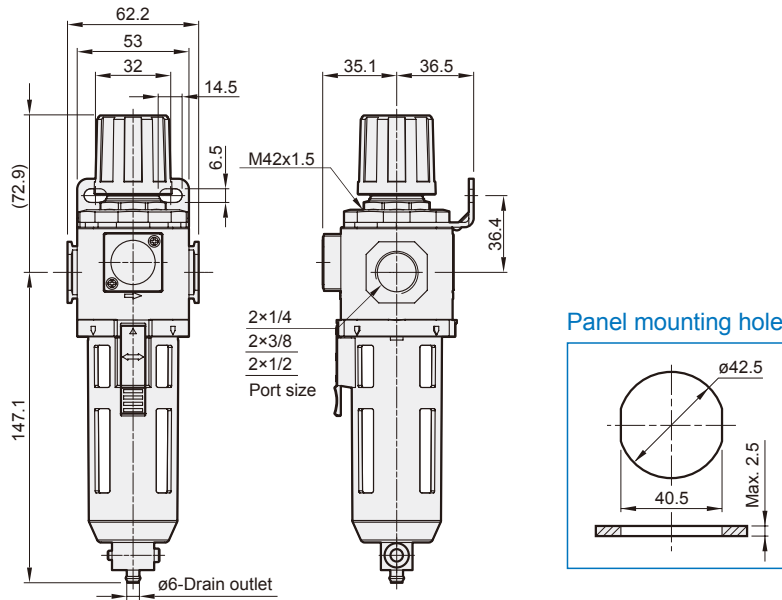
Metal bowl

Before assembling or disassembling, push the lock plate down to the end, and confirm that is detached from the body then rotate the bowl, otherwise the lock plate will be deformed or the body will be scratched.



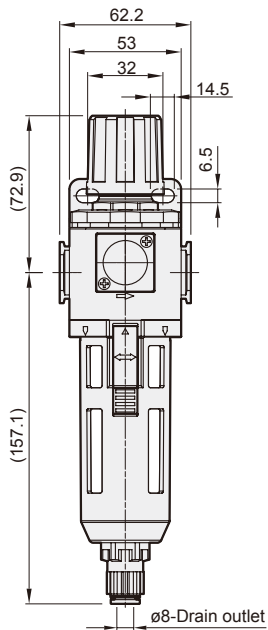
MAFR302 Dimensions

AIR UNIT (F.R.UNIT)



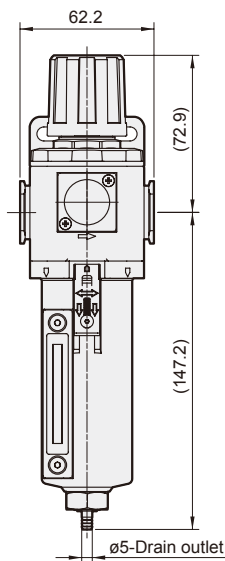
MAFR302-D*

Auto drain valve



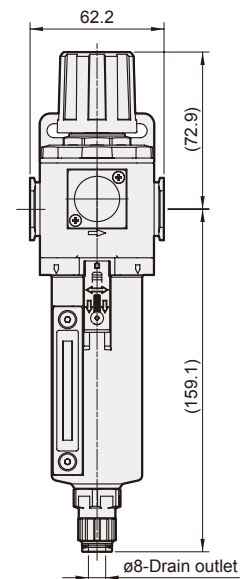
MAFR302-M*

Metal bowl



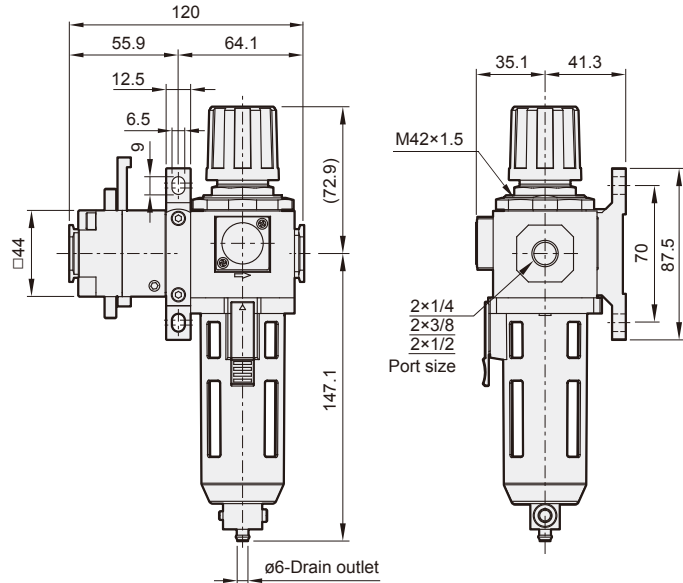
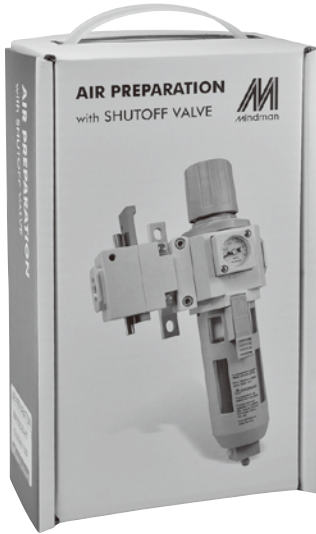
MAFR302-DM*

Auto drain valve + Metal bowl



MAFR302-HT with shutoff valve

AIR UNIT (F.R.UNIT)



Order example

MAFR302 – 8A – □ – E1 – □ – HT – □

MODEL

PORT SIZE

8A: 1/4
10A: 3/8
15A: 1/2

(Option)
PRESSURE
SWITCH

E1: MP41P-02
E2: MP41P-02-QD
E5: MP41P-04
E6: MP41P-04-QD

FILTER
ELEMENT

Blank: 5µm
40u: 40µm

PORT THREAD

Blank: Rc thread
G: G thread
NPT: NPT thread

SHUTOFF VALVE

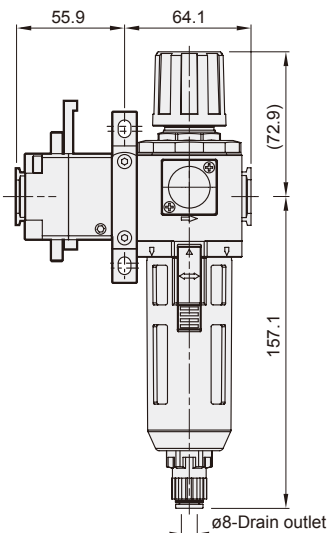
HT: MVHT-302-3H

Blank: Standard type
(PC bowl + Semi-auto drain)
C: External pressure gauge (PG-40)
D: Auto drain valve (FMRF300)
M: Metal bowl
N: Nylon bowl

- * Metal bowl (M) and Nylon bowl (N) can not be selected at the same time.
- * PG-40 (C) and MP41 (E*) can not be selected at the same time.
- * Refer to page 5-11 for the option of digital pressure switch MP41 (E*).

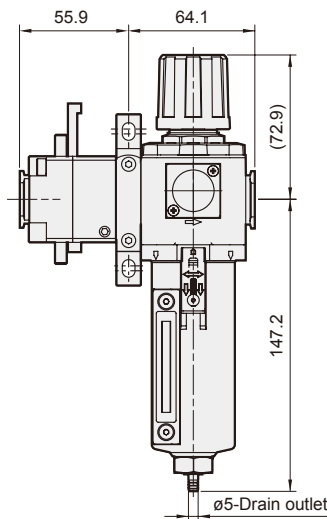
MAFR302-D*-HT

Auto drain valve



MAFR302-M*-HT

Metal bowl



MAFR302-DM*-HT

Auto drain valve + Metal bowl

