

# MVHB-500 series

## HAND LEVER VALVE

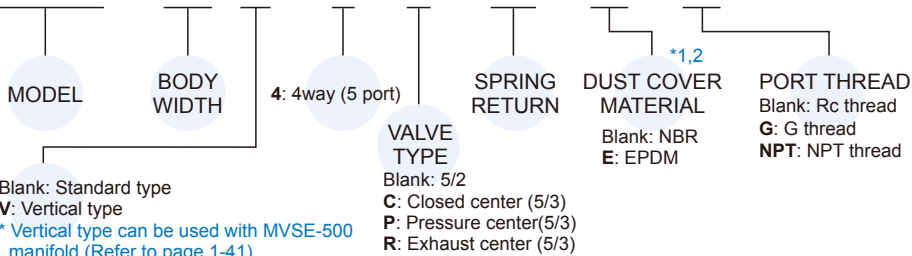


### Specification

| Model                    | MVHB-500(V)-4TV<br>MVHB-500(V)-4TV-SP | MVHB-500(V)-4TV*<br>MVHB-500(V)-4TV*-SP |
|--------------------------|---------------------------------------|---|
| Bore No.                 | 15A                                   |   |
| Port size                | Rc1/2                                 |   |
| No. of port              | 5                                     |   |
| No. of position          | 2                                     | 3                                       |
| Medium                   | Air                                   |   |
| Operating pressure range | 0~1.2 MPa                             |   |
| Effective orifice        | 41 mm <sup>2</sup>                    |   |
| Ambient temperature      | -5~+60°C (No freezing)                |   |
| Weight                   | 519 g                                 | 560 g                                   |

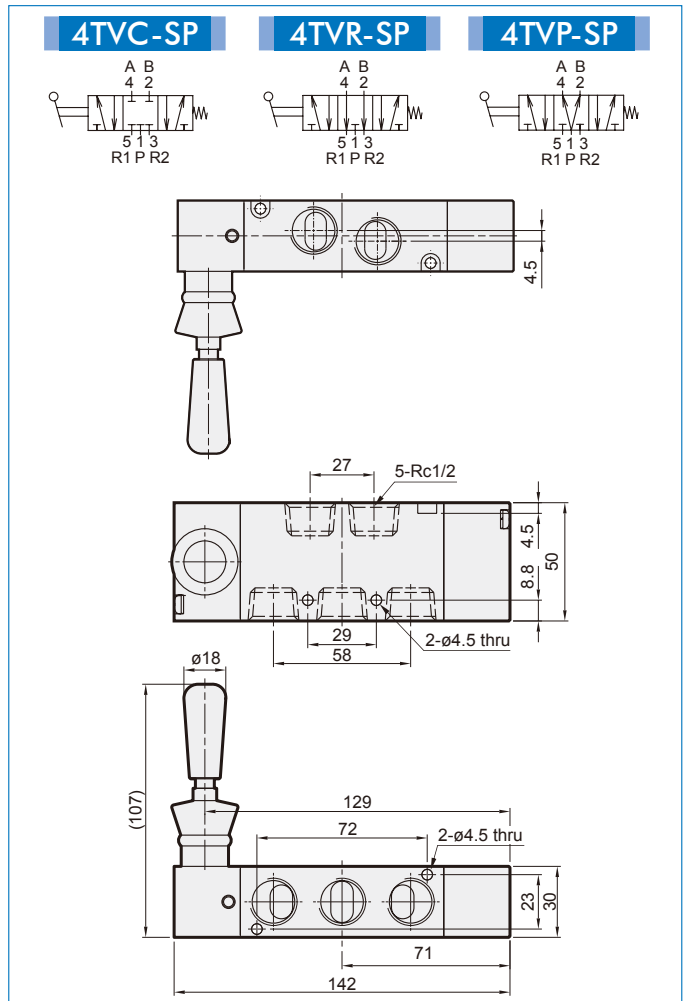
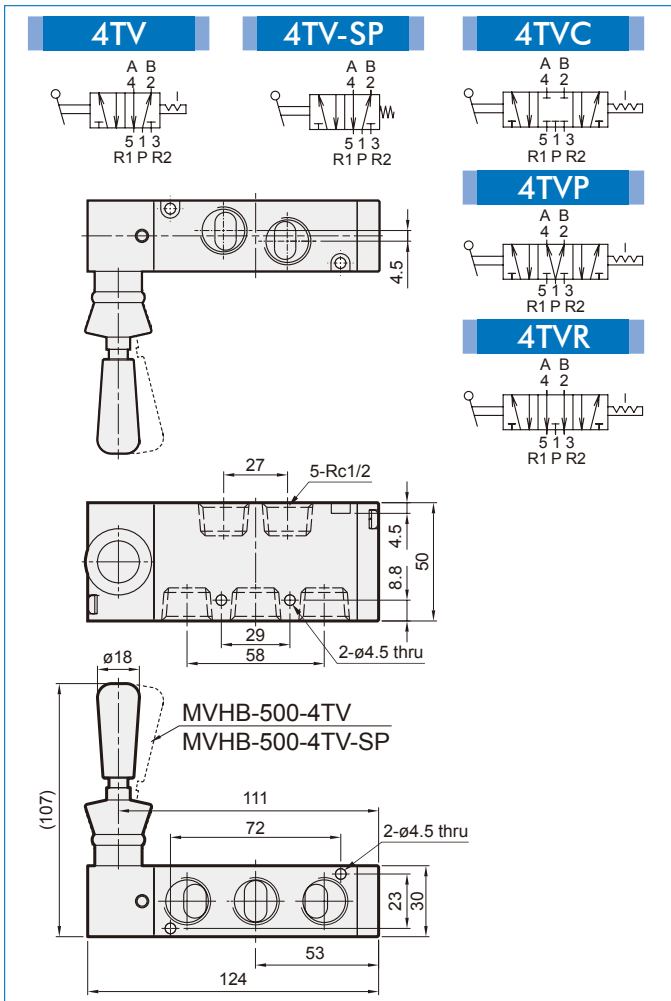
### Order example

MVHB – 500V – 4TVC – SP – □ – G



\*1. NBR: Good oil resistance and abrasion resistance, not suitable for using in polar solvents.  
 EPDM: Excellent water resistance and chemical resistance, not suitable for using oil place.

\*2. Suitability of material please refer to page 2-3-5.



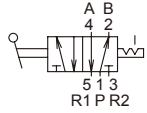
# MVHB-500 Dimensions – Vertical type

## HAND LEVER VALVE

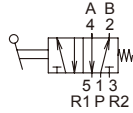


V

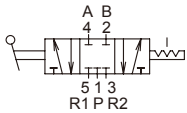
4TV



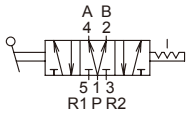
4TV-SP



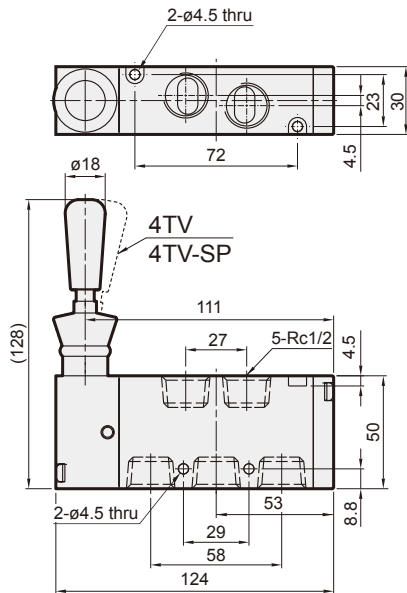
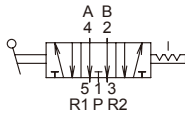
4TVC



4TVP

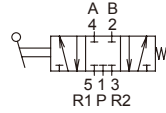


4TVR

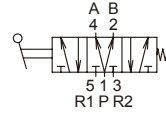


V

4TVC-SP



4TVP-SP



4TVR-SP

