



Features

- Pressure range: Compound -100.0~100 kPa
Positive 0~1 MPa
Vacuum 0~-101.3 kPa.
- 2 switch output & one analog output.
- Hysteresis adjustable.
- High accuracy and Resolution.
- Low cost.

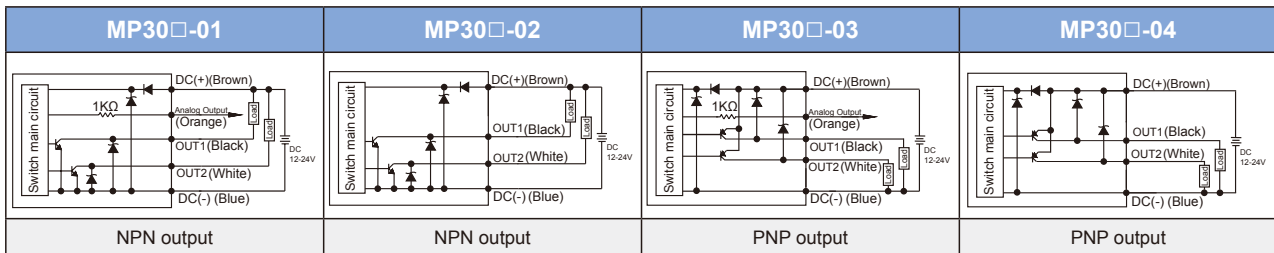
Specification

Model		MP30C (Compound)	MP30V (Vacuum)	MP30P (Positive)
Rated pressure range		-100.0~100.0 kPa	0.0 ~ -101.3 kPa	0.000 ~ 1.000 MPa
Operating / Setting pressure range		-100.0~100.0 kPa	10.0 ~ -101.3 kPa	-0.100 ~ 1.000 MPa
Allowable pressure		300 kPa		1.5 MPa
Fluid		Filtered air, Non-corrosive / Non-flammable gas		
Set pressure resolution	KPa	0.1		—
	MPa	—		0.001
	kgf/cm ² , bar	0.001		0.01
	psi	0.01		0.1
	InHg	0.1		—
	mmHg	1		—
	mmH ₂ O	0.1		—
Power supply voltage		12 to 24V DC±10%, Ripple (P-P) 10% or less		
Current consumption		≤ 60mA		
Switch output		NPN or PNP open collector 2 outputs Max. load current : 100mA Max. supply voltage: NPN, 30V DC; PNP, 24V DC Residual voltage : ≤1V		
Repeatability (Switch output)		±0.2% F.S. ±1digit		
Hysteresis	Hysteresis mode	Adjustable		
	Window comparator mode	Fixed (3 digits)		
Response time		≤2.5ms (chattering-proof function: 24ms, 192ms and 768ms selections)		
Output short circuit protection		Yes		
7 segment LED display		3 1/2 digit LED display (Sampling rate: 5 times/1sec.)		
Indicator accuracy		±2% F.S. ±1 digit (Ambient temperature: 25 ± 3°C)		
Indicator		Green LED (OUT1), Red LED (OUT2)		
Analog output <i>*(Only type MP30□-01, MP30□-03)</i>		Output voltage: 1 to 5V±5% F.S. (within rated pressure range) Linearity: ±1% F.S.	Output voltage: 1 to 5V ±2.5% F.S. (within rated pressure range) Linearity: ±1% F.S.	
Environment	Enclosure	IP40		
	Ambient temp. range	Operation: 0 ~ 50°C, storage: -20 ~ 60°C (No condensation or freezing)		
	Ambient humidity range	Operation/Storage: 35 ~ 85% RH (No condensation)		
	Withstand voltage	1000V AC in 1-min. (between case and lead wire)		
	Insulation resistance	50MΩ (at 500V DC, between case and lead wire)		
	Vibration	Total amplitude 1.5mm or 10G, 10Hz-55Hz-10Hz scan for 1 minute, 2 hours each direction of X, Y and Z		
	Shock	980m/s ² (100G), 3 times each in direction of X, Y and Z		

Specification

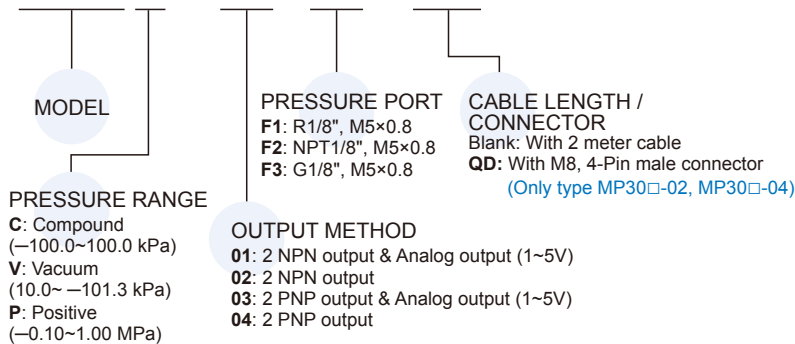
Model	MP30C (Compound)	MP30V (Vacuum)	MP30P (Positive)
Temperature characteristic	±2% F.S. of detected pressure (25°C) at temp. Range of 0~50°C		
Port size	F1: R1/8", M5×0.8; F2: NPT1/8", M5×0.8; F3: G1/8", M5×0.8		
Lead wire	Oil-resistance cable (0.15mm ²)		
Weight	Approx. 67 g (with 2 meter lead wire), Approx. 35 g (with M8 4Pin male connector)		

Output circuit wiring graph



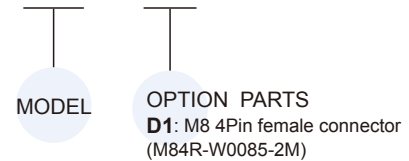
Order example

MP30C - 01 - F1 - QD

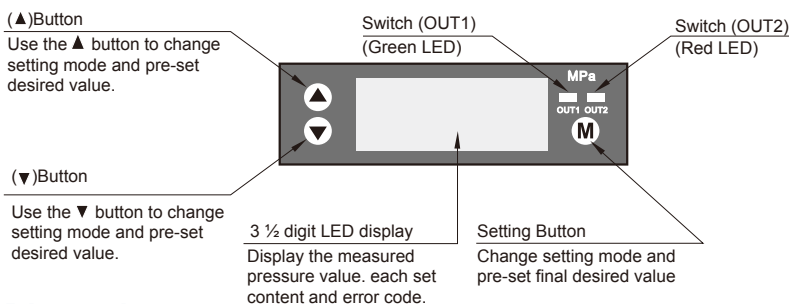


Mounting accessories

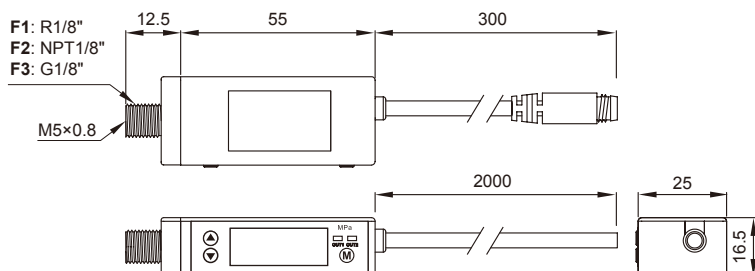
MP - D1



Panel instructions

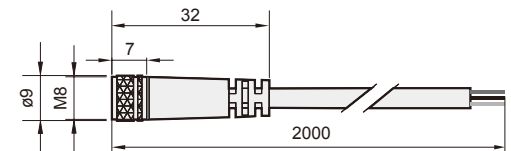


Dimensions



Optional part dimensions

M8 4-Pin female connector
 Model: **MP-D1**



QD Pinout

